

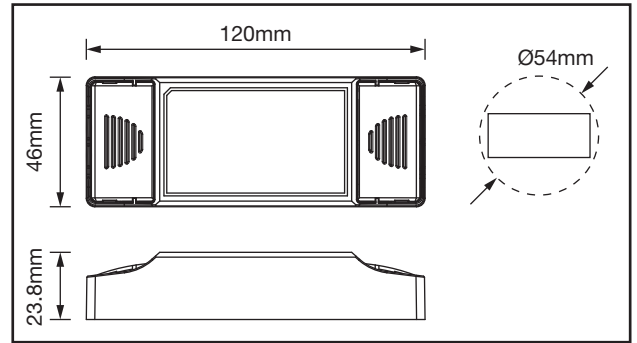
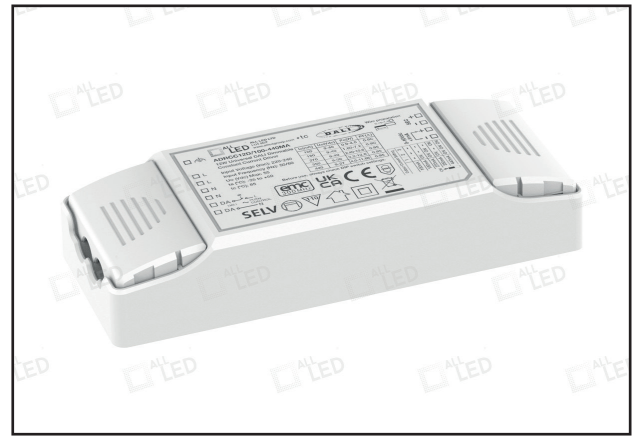
ADRCC12D/100-440MA

12W Universal DALI / DALI2 /
(0)1-10V / Push Dimming Constant
Current Driver

UNIDRIVE-CC

PRODUCT FEATURES

- DALI, DALI2, (0)1-10V, Retractive Push Dimming All-In-One Unit
- Selectable Constant Current Output By DIP Switch
- Wide Output Voltage
- Short Circuit / Over Temperature / Over Voltage Protection



TECHNICAL SPECIFICATIONS

| PRODUCT CODE | ADRCC12D/100-440MA |
|------------------------------------|------------------------------|
| Operating Voltage | 220-240VAC |
| Operating Current (A max) | 0.07A |
| Max Output Power | 12.6W |
| Current / Output Power / Voltages | 100mA, 0.9-4W, (9-40VDC) |
| | 180mA, 1.60-7.2W, (9-40VDC) |
| | 270mA, 2.40-10.8W, (9-40VDC) |
| | 350mA, 3.2-12.6W, (9-36VDC) |
| | 440mA, 4-11.88W, (9-27VDC) |
| Output Voltage (Max) | 55VDC |
| Power Factor | 0.95 |
| Efficiency % | 78% |
| No Load Power (W) | <0.5W |
| Dimming % | 2%-100% |
| Class | II |
| Body Material | Polycarbonate |
| Switching Cycles | 100,000 |
| Frame Colour | White |
| Ingress Protection | IP20 |
| Ambient Operating Temperature (°C) | -25°C ~ +50°C |
| Input Frequency (Hz) | 50/60Hz |
| Guarantee | 5 Years |
| Dimming Protocol | PUSH DIM, (0) 1-10V, DALI |
| Lifetime | 50,000 Hrs |

